



Liquid Freezer II Series

Compatible with Intel & AMD Sockets
 In-House Developed PWM Controlled Pump
 High Performance allows Overclocking
 Motherboard VRM Cooling Solution

120 | 240 | 360 | 280

LIQUID FREEZER II SERIES: ARCTIC breaks New Ground in Water Cooling

ARCTIC, a leading manufacturer of low-noise PC coolers and components, today launches its new Liquid Freezer II series of AIO water coolers. Designed for high performance, the second generation Liquid Freezer includes four product versions: Liquid Freezer II 120, Liquid Freezer II 240, Liquid Freezer II 360, and Liquid Freezer II 280.

For the Liquid Freezer II series, ARCTIC has incorporated an in-house developed, energy-efficient PWM-controlled pump with a copper bottom plate that operates with extreme efficiency and quiet. At low loads, the pump reduces rotational speed, thereby lowering power consumption. The 40mm fan on the pump provides consistent cooling for the motherboard voltage converter, while the sealed water circuit is maintenance-free.

Thanks to its flat design and compact pump, the Liquid Freezer II fits into many cases and offers optimal RAM compatibility, even for modules with larger heatsinks. Each Liquid Freezer II model is compatible with all common AMD and Intel sockets.

All versions of the Liquid Freezer II use tried and tested, pressure-optimized ARCTIC P fans, which are characterized by their exceptional durability. The PWM-controlled fans ensure an optimal cooling performance-to-noise ratio is achieved at all times.

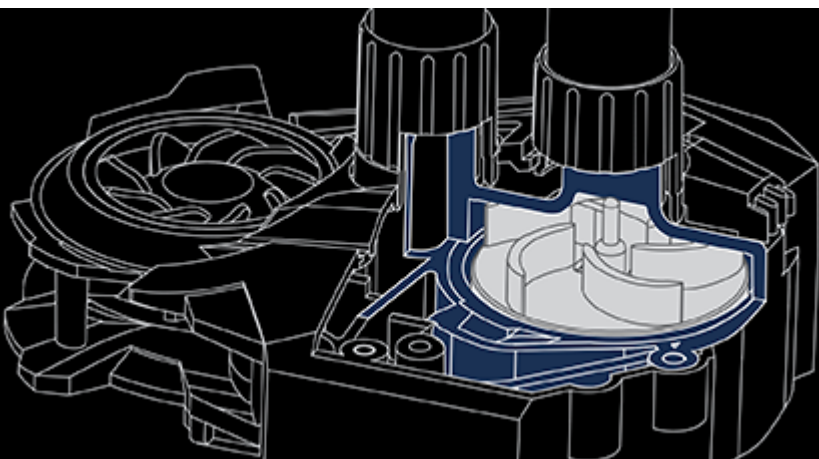
What's more, the new Liquid Freezer II coolers have been perfectly tailored to suit the needs of gamers and other demanding users. Compared to the predecessor series, they achieve even greater cooling performance and guarantee consistent and quiet cooling even when overclocking, making the Liquid Freezer II indispensable for gaming, rendering, video editing and other CPU-intensive tasks.

Pump/Cold Plate	
VRM Fan	40mm, 1000-3000 RPM (Controlled by PWM)
Pump	800-2000 RPM (Controlled by PWM)
Power Consumption	1.0 W-2.7 W (Pump and VRM Fan)
Cold Plate	Copper, Micro Skived Fin
Tube Length	Liquid Freezer II 120: 350 mm Liquid Freezer II 240: 450 mm Liquid Freezer II 360: 450 mm Liquid Freezer II 280: 450 mm
Tube Diameter	Outer: 12.4 mm Inner: 6.0 mm
Dimensions w/o tubes (L x W x H)	98mm x 78mm x 53mm

Fan	
Fan	Liquid Freezer II 120: 1x P12-120mm fan Liquid Freezer II 240: 2x P12-120mm fan Liquid Freezer II 360: 3x P12-120mm fan Liquid Freezer II 280: 2x P14-140mm fan
Fanspeed	Liquid Freezer II 120, 240, 360: 200-1800 RPM (Controlled via PWM) Liquid Freezer II 280: 200-1700 RPM (Controlled via PWM)
Airflow	Liquid Freezer II 120, 240, 360: 56.3 CFM Liquid Freezer II 280: 72.8 CFM
Current/Voltage	Liquid Freezer II 120, 240, 360: 0.08 A/12 V DC Liquid Freezer II 280: 0.12 A/12 V DC
Bearing	Fluid Dynamic Bearing
Noise Level	0.3 Sone
Connector	4-pin-Connector
Dimensions	Liquid Freezer II 120, 240, 360: 120 x 120 x 25 mm Liquid Freezer II 280: 140 x 140 x 27 mm

General	
Socket Compatibility	Intel 115X, 2011-3*, 2066* AMD® AM4 *Square ILM
Thermal Compound	MX-4 (0.8 g)
Total Weight (Fans, Radiator, Pump, Tubes)	Liquid Freezer II 120: 932 g Liquid Freezer II 240: 1191 g Liquid Freezer II 360: 1687 g Liquid Freezer II 280: 1572 g

Radiator	
Material	Aluminium
Dimensions (L x W x H)	Liquid Freezer II 120: 157 mm x 120 mm x 38 mm Liquid Freezer II 240: 277 mm x 120 mm x 38 mm Liquid Freezer II 360: 398 mm x 120 mm x 38 mm Liquid Freezer II 280: 317 mm x 138 mm x 38 mm



The Liquid Freezer II feature an in-house developed, PWM-controlled pump with a copper base, improved efficiency, a low power usage and quiet operation.

About ARCTIC

ARCTIC is a leading manufacturer of silent PC coolers and components and has initiated and sustainably influenced the trend towards quiet cooling systems. Besides a wide range of CPU and GPU coolers, ARCTIC offers high quality monitor mounts as well as an audio product line. The company, run by founder Magnus Huber, has locations in Germany, Hong Kong and the USA and convinces pc enthusiasts in over 45 countries with innovative and user-friendly products, high quality and fair prices. For more than 15 years ARCTIC stands for comfortable computing, excellent service and personal support.

